

What is your bright idea?

The Tenner Project

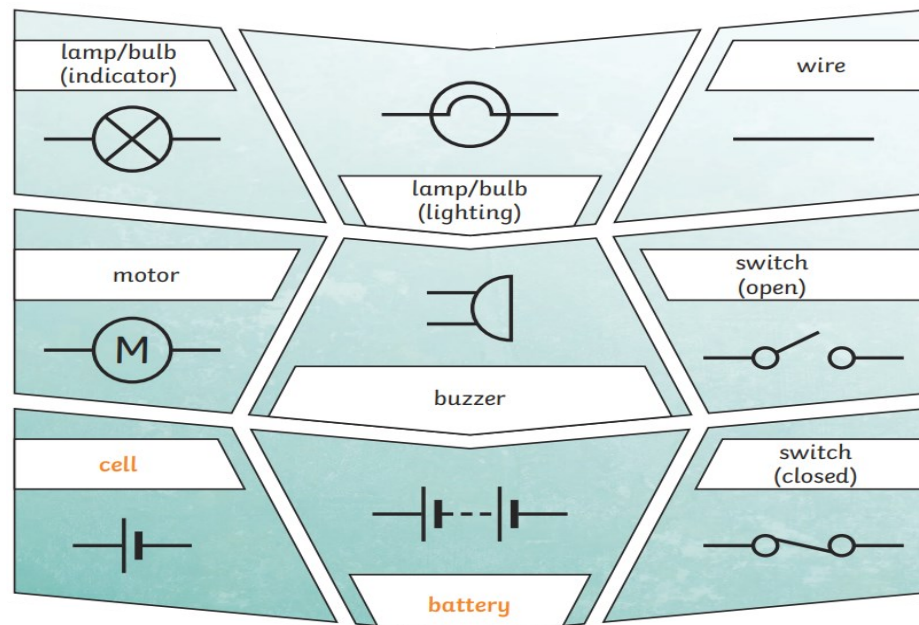
Is your project SMART?

Simple	Do you have an uncomplicated idea at the heart of your project?
Measurable	How will you know when you have achieved success?
Achievable	Is it genuinely possible to achieve?
Realistic	Is it within your capabilities?
Timely	Do you have/will you meet the deadline?

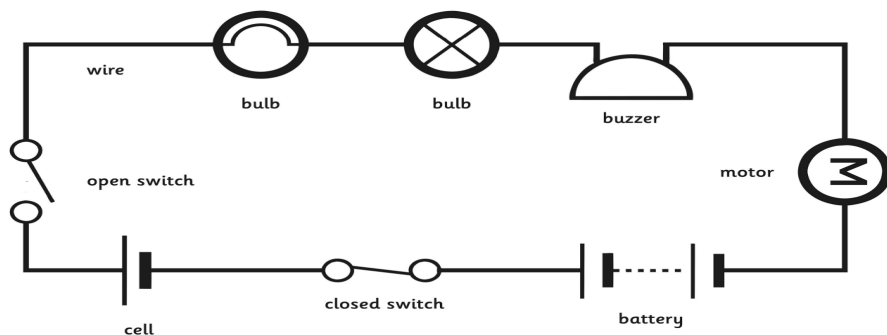
Key Vocabulary

Business	A person's regular occupation, profession or trade.	Ethical	Relating to moral principles and questions of right or wrong.
Copyright	A form of protection given to the creators of original works.	Initiative	The ability to assess and initiate things independently.
Enterprise	A project, especially a bold or complex one.	Profit	A financial gain, especially the difference between the amount earned and the amount spent.
Entrepreneur	A person who sets up a business, taking a financial risk in the hope of a profit.	Project	An enterprise that is carefully planned to achieve a particular aim.

Components of a Circuit and their Symbols



These symbols can be used to create electrical circuit diagrams.



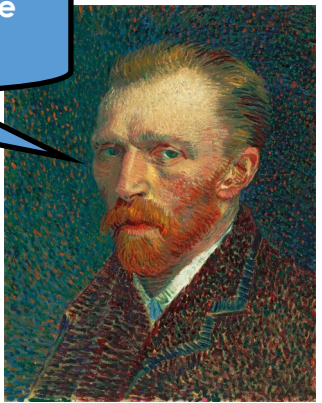
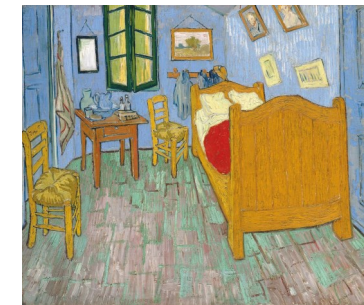
Science

Key Vocabulary

circuit	A path that an electrical current can flow around.
symbol	A visual picture that stands for something else.
cell/battery	A device that stores chemical energy until it is needed. A cell is a single unit. A battery is a collection of cells .
current	The flow of electrons , measured in amps .
amps	How electric current is measured.
voltage	The force that makes the electric current move through the wires. The greater the voltage , the more current will flow.
resistance	The difficulty that the electric current has when flowing around a circuit .
electrons	Very small particles that travel around an electrical circuit .

Art

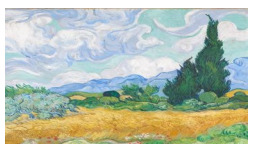
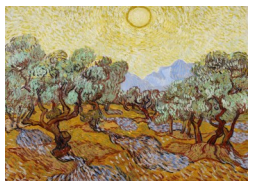
Using impasto, can you design and create a piece of art which resembles my own?



Vincent van Gogh

Key Vocabulary

Impasto	The process or technique of laying on paint or pigment thickly so that it stands out from a surface.
Expressionism	A style of painting, music, or drama in which the artist or writer seeks to express the inner world of emotion rather than external reality.
Dynamic	To describe a work of art that conveys excitement or power.
Textures	The feel, appearance, or consistency of a surface or substance.



Summer 2

P.E

Athletics
Pacing
Sprint
Throw
Jump

RSHE

Individual Liberty
Self-esteem
Puberty
Pregnancy
Attraction
Relationship
Transition

Computing

Binary
Digit
Bit
Byte
Kilobyte
Megabyte
Terabyte

Science

Electricity
Circuit
Symbols
Cell/Battery
Bulb
Wires
Voltage
Current

R.E

Happiness
Gratification
Positivity
Thankfulness
Balance
Reincarnation
Afterlife
Heaven, Salvation
Perspective

Maths

Cost
Percentage
Profit
Margin
Value
Breakeven
Price